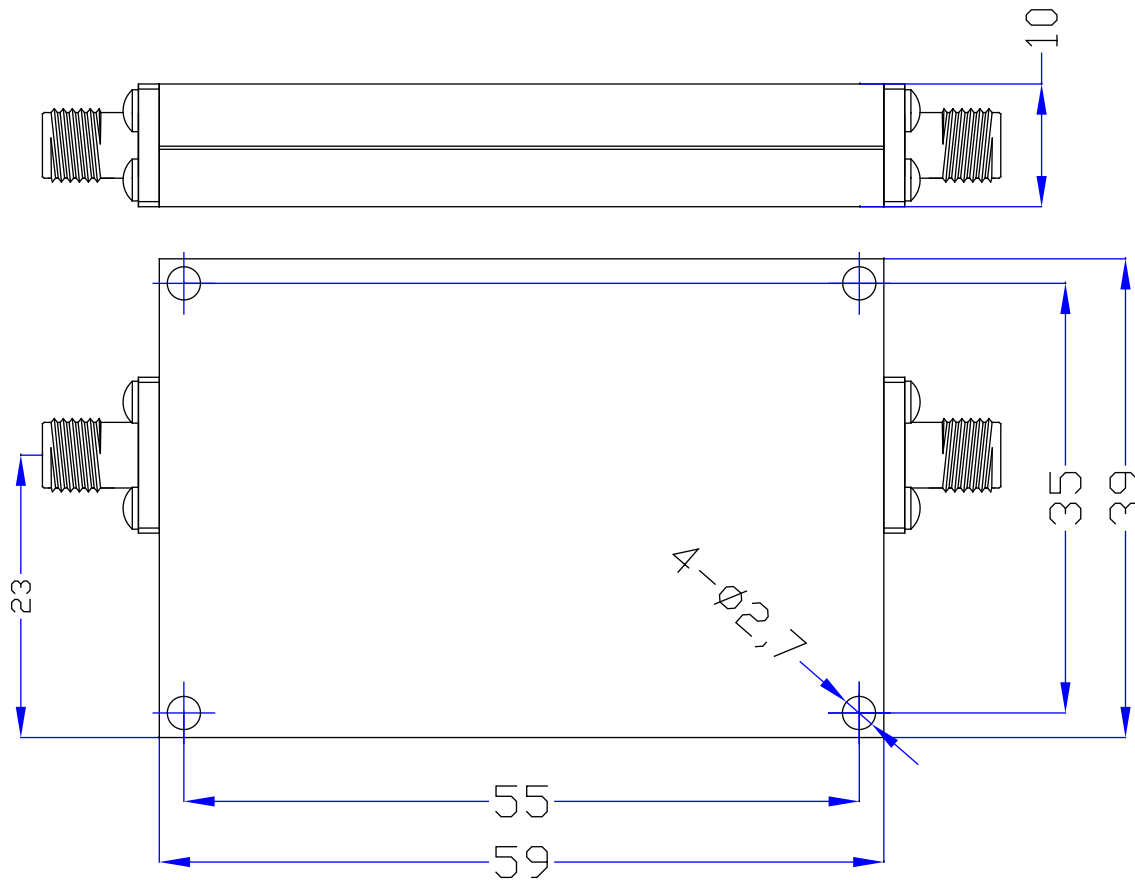




3.2 /



<small>PROPRIETARY INFORMATION: THE INFORMATION IN THIS DRAWING IS PROPRIETARY AND SHALL NOT BE USED OR DISCLOSED WITHOUT PRIOR WRITTEN PERMISSION FROM MICROWAVETOWN</small>		MicrowaveTown	
Pass Band Frequency	300-2750MHz	1283 E. Route 66 Ave. Glendora, CA 91741 Tel: (626)241-9635 Fax: (626)698-1638 www.microwavetown.com	
Insertion Loss	1.6dB (Max)		
Ripple in Band	1.6dB (Max)	Title Low Pass Filter	
Rejection	40dB @ 3000MHz (Min) ≥60dB @ 3600-8700MHz (Min)	Draw No. MT-A0071-LS	
VSWR	1.7:1 (Max)	Unit DO NOT SCALE DRAWING	
Surface Finish	Guide Oxygen or Black Paint		
Port Connectors	SMA-Female		
		Outline Drawing	