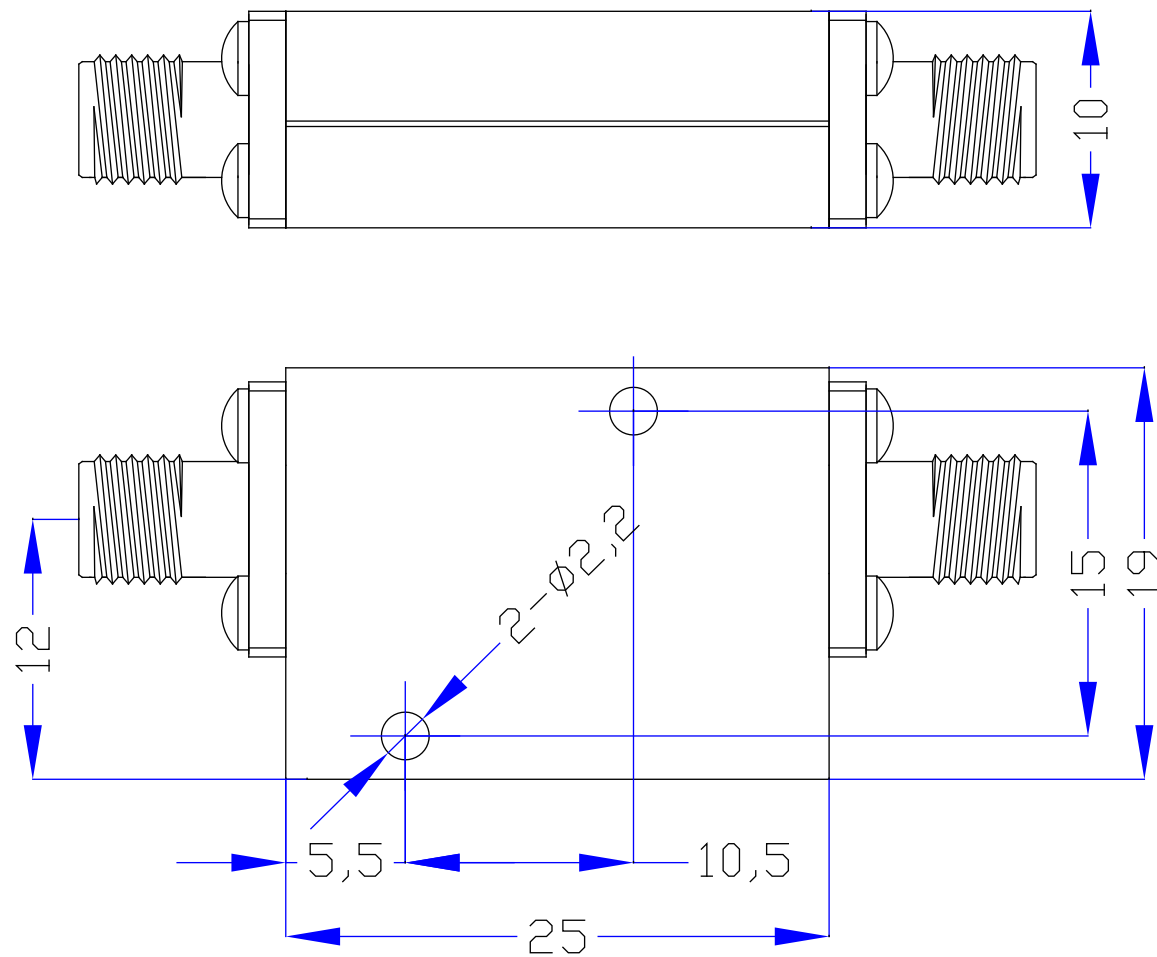


3.2



<small>PROPRIETARY INFORMATION: THE INFORMATION IN THIS DRAWING IS PROPRIETARY AND SHALL NOT BE USED OR DISCLOSED WITHOUT PRIOR WRITTEN PERMISSION FROM MICROWAVETOWN</small>				
3dB Cut Off	9 GHz		1283 E. Route 66 Ave. Glendora, CA 91741 Tel: (626)241-9635 Fax: (626)698-1638 www.microwavetown.com	
1dB Pass Band	DC-8.1 GHz			
VSWR	2.0:1(Max)		Title Low Pass Filter Draw No. MT-A0079-LS	
Stop Band	45dB @ 10.4-16.5 GHz (Min)			
Average Power	15 W		Unit DO NOT SCALE DRAWING	
Surface Finish	Black Paint	mm		
Port Connectors	SMA-Female	mm	Outline Drawing	