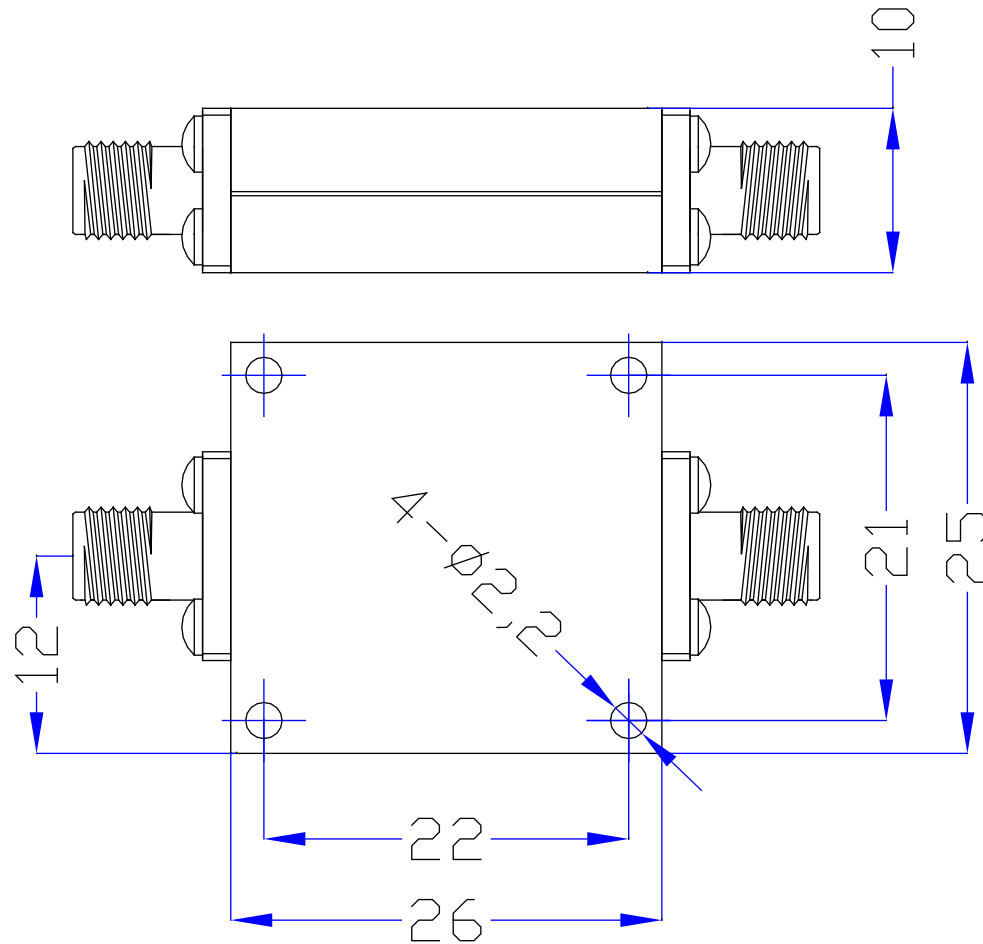




3.2 /



<small>PROPRIETARY INFORMATION: THE INFORMATION IN THIS DRAWING IS PROPRIETARY AND SHALL NOT BE USED OR DISCLOSED WITHOUT PRIOR WRITTEN PERMISSION FROM MICROWAVETOWN</small>				
3dB Cut Off	5 GHz		1283 E. Route 66 Ave. Glendora, CA 91741 Tel: (626)241-9635 Fax: (626)698-1638 www.microwavetown.com	
1dB Pass Band	5.5-16GHz			
VSWR	2.0:1(Max)		Draw No. MT-A0107-HS	
Stop Band	45dB @ DC-4.25GHz (Min)			
Average Power	15 W		Outline Drawing	
Surface Finish.	Guide Oxygen or Black Paint	Unit		
Port Connectors	SMA-Female	mm	DO NOT SCALE DRAWING	