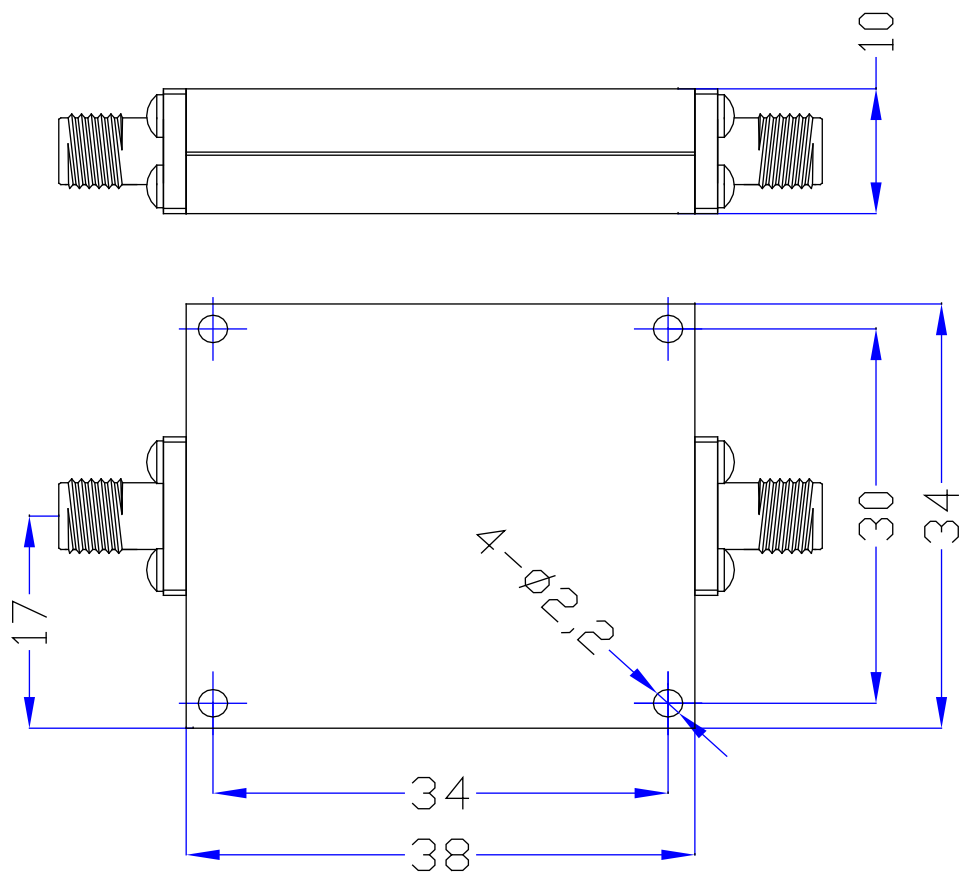


3.2 /



<small>PROPRIETARY INFORMATION: THE INFORMATION IN THIS DRAWING IS PROPRIETARY AND SHALL NOT BE USED OR DISCLOSED WITHOUT PRIOR WRITTEN PERMISSION FROM MICROWAVETOWN</small>			MicrowaveTown	
3dB Cut Off	2 GHz		1283 E. Route 66 Ave. Glendora, CA 91741 Tel: (626)241-9635 Fax: (626)698-1638 www.microwavetown.com	
1dB Pass Band	2.2-12GHz			
VSWR	2.0:1 (Max)		Draw No. MT-A0139-HS	
Stop Band	45dB @ DC-1.7GHz (Min)			
Average Power	15 W		Unit DO NOT SCALE DRAWING	
Surface Finish.	Guide Oxygen or Black Paint			
Port Connectors	SMA-Female	mm	Outline Drawing	