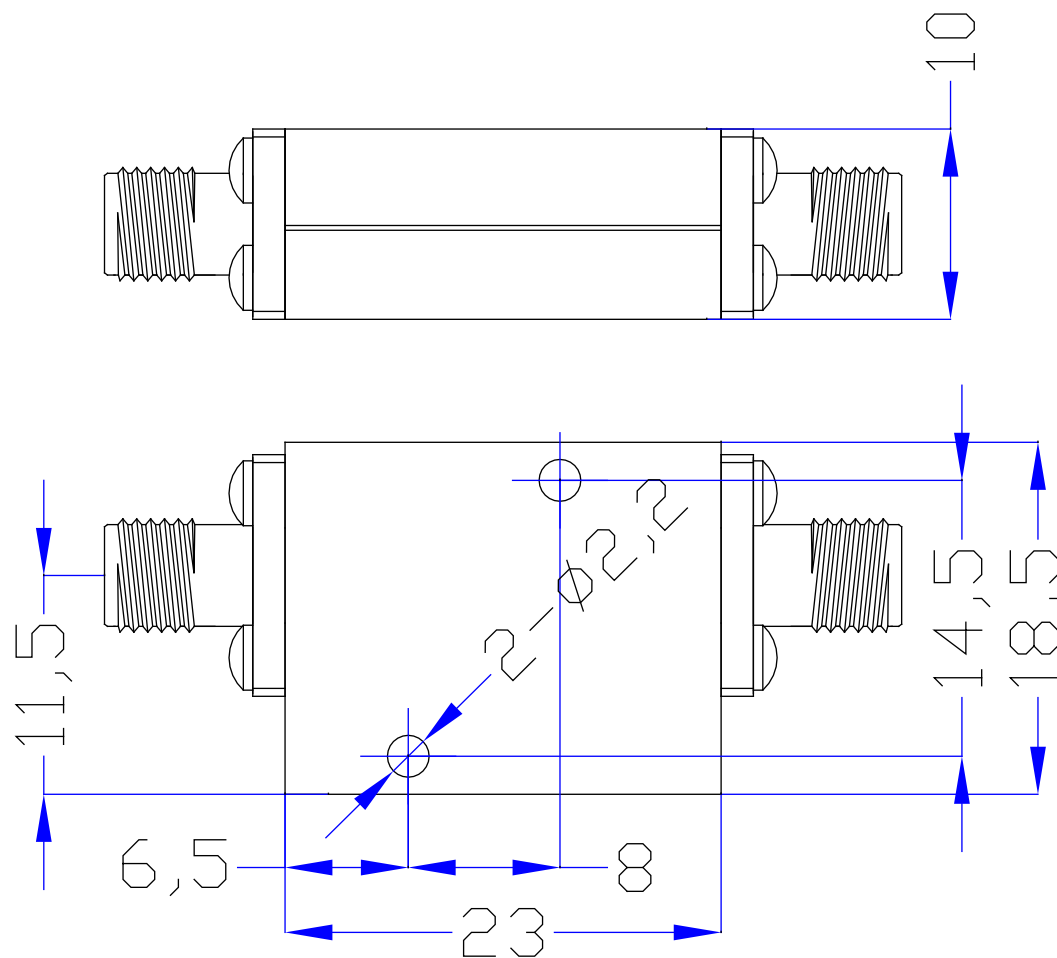


3.2



PROPRIETARY INFORMATION: THE INFORMATION IN THIS DRAWING IS PROPRIETARY AND SHALL NOT BE USED OR DISCLOSED WITHOUT PRIOR WRITTEN PERMISSION FROM MICROWAVETOWN

3dB Cut Off	11 GHz	
1dB Pass Band	DC-9.9 GHz	
VSWR	2.0:1(Max)	
Stop Band	45dB @ 12.5-17.5 GHz (Min)	
Average Power	15 W	
Surface Finish	Black Paint	Unit
Port Connectors	SMA-Female	mm

M MicrowaveTown

1283 E. Route 66 Ave.
Glendora, CA 91741
Tel: (626)241-9635
Fax: (626)698-1638
www.microwavetown.com

Title
Low Pass Filter
Draw No.
MT-A0154-LS
Outline Drawing

DO NOT SCALE DRAWING