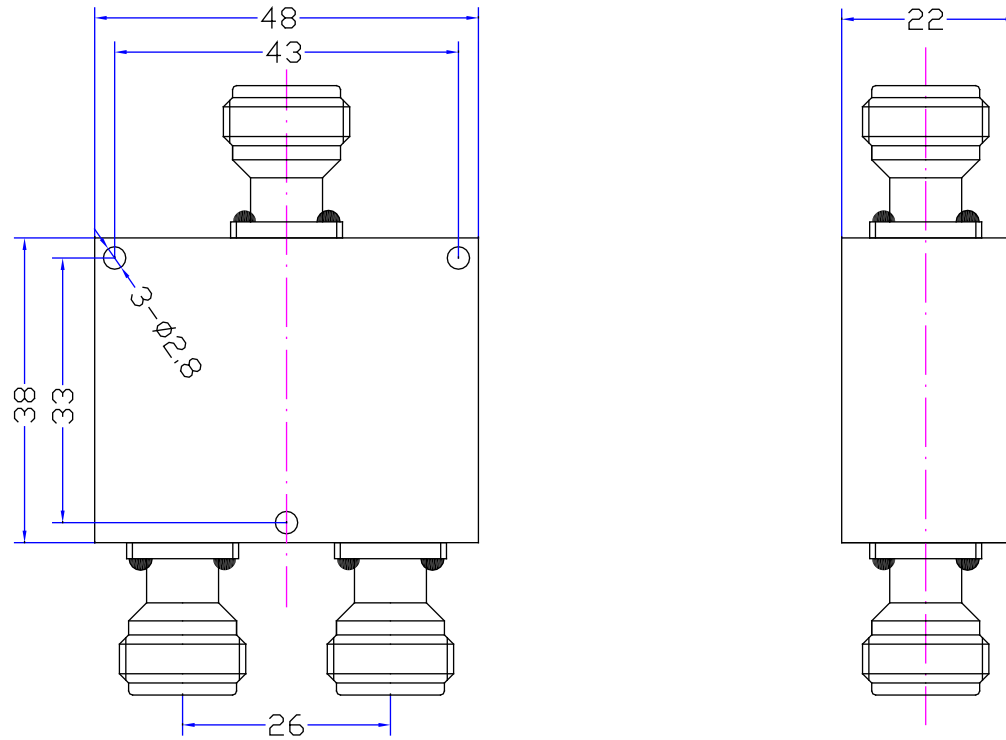




3.2/



<small>PROPRIETARY INFORMATION: THE INFORMATION IN THIS DRAWING IS PROPRIETARY AND SHALL NOT BE USED OR DISCLOSED WITHOUT PRIOR WRITTEN PERMISSION FROM MICROWAVETOWN</small>				MicrowaveTown, LLC	
Way	2	1283 E. Route 66 Ave. Glendora, CA 91741 Tel: (626)241-9635 Fax: (626)698-1638 www.microwavetown.com			
Frequency Range	2400~5900MHz			Way Splitter	
Insertion Loss	3.6dB (Max)			Draw No.	
Isolation	18dB (Min)			MT-D0006-02	
VSWR	1.35:1 (Max)				
Surface Finish	Black Paint	Unit			
Connectors	N-Female	mm		DO NOT SCALE DRAWING	
					Outline Drawing