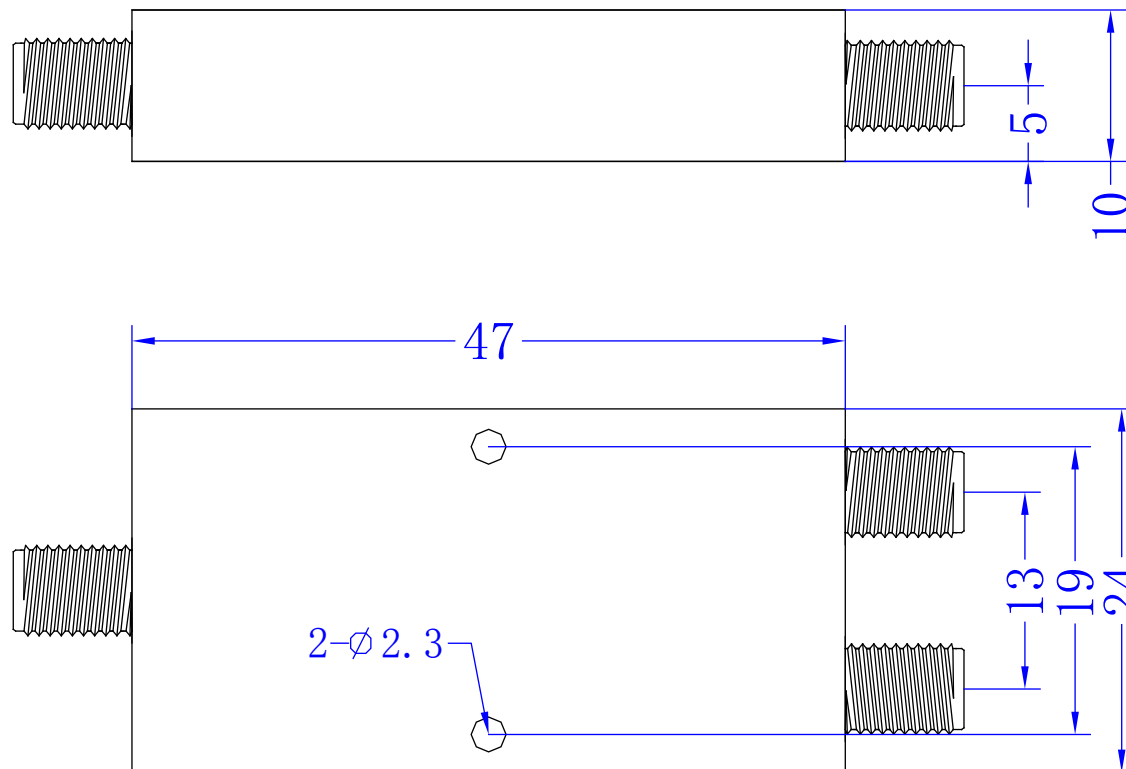


3.2



<small>PROPRIETARY INFORMATION: THE INFORMATION IN THIS DRAWING IS PROPRIETARY AND SHALL NOT BE USED OR DISCLOSED WITHOUT PRIOR WRITTEN PERMISSION FROM MICROWAVETOWN</small>		<b>MicrowaveTown, LLC</b>	
Way	2	Connectors: SMA-Female	1283 E. Route 66 Ave. Glendora, CA 91741 Tel: (626)241-9635 Fax: (626)698-1638 www.microwavetown.com
Frequency Range	2~18GHz		
Insertion Loss	1.8dB (Max)		Title
Isolation	15dB (Min)		2 Way Power Divider
VSWR	1.8:1 (Max)		Draw No.
Power Handling	10W	Unit	MT-D0016-02
Surface Finish	Black Paint	mm	Outline Drawing
		DO NOT SCALE DRAWING	