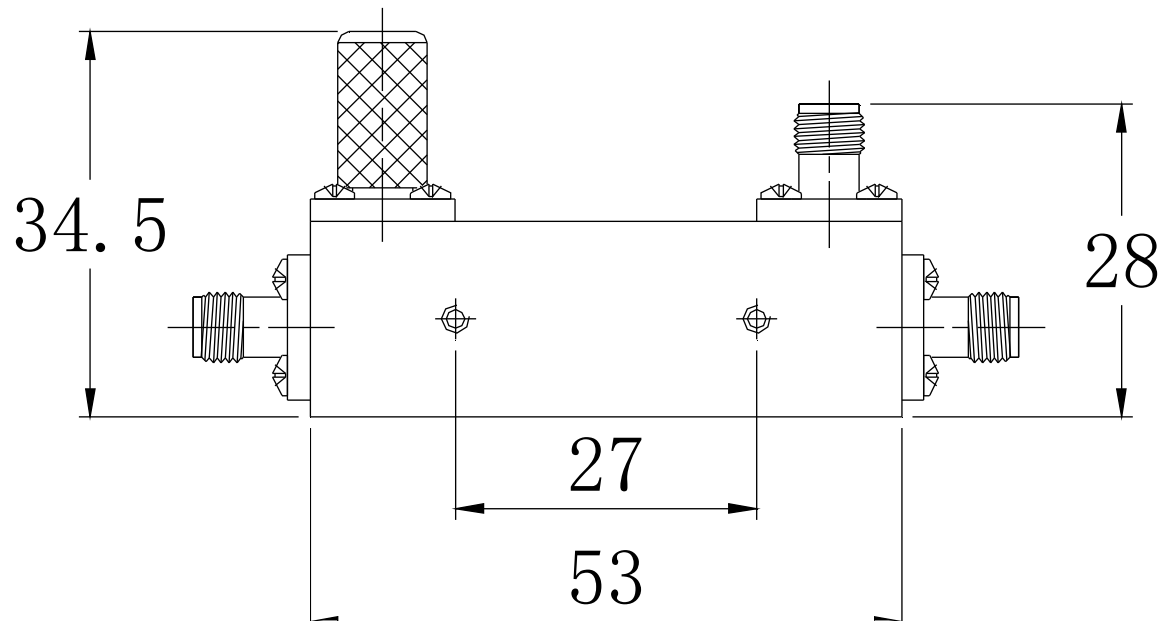
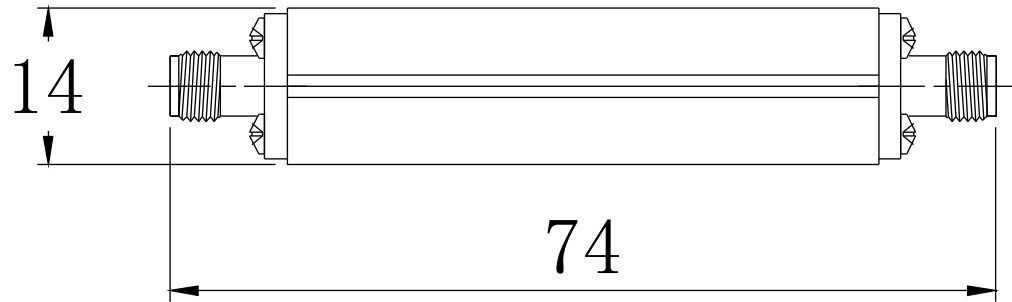


3.2



<small>PROPRIETARY INFORMATION: THE INFORMATION IN THIS DRAWING IS PROPRIETARY AND SHALL NOT BE USED OR DISCLOSED WITHOUT PRIOR WRITTEN PERMISSION FROM MICROWAVETOWN</small>				
Frequency Range	2-20 GHz		1283 E. Route 66 Ave. Glendora, CA 91741 Tel: (626)241-9635 Fax: (626)698-1638 www.microwavetown.com	
Coupling	17-2dB			
Directivity	13dB (Min)		Title Coaxial Directional Coupler	
VSWR	1.43:1 (Max)			
Insertion Loss	1.5 dB (Max)		Draw No. MT70604	
Power (Average/Peak)	10w/3kw	Unit		
		mm	DO NOT SCALE DRAWING	
			Outline Drawing	