

MTPA 26.5... 40GHz

Wideband GaN Amplifiers



STANDARD MODELS

Model	Frequency Range GHz	Output Power	Input Power	Small Signal Gain	Gain Flatness	Gain Adj	Input VSWR
		min / max / typ W	max dBm	min / typ dB	typ / max dB	max dB	typ / max
MTPA2640-4	26.5 ... 40	4/6/5	5	34/38	±4/±6	15	1.5/2
MTPA2640-5	26.5 ... 40	5/7/6	5	36/40	±4/±6	15	1.5/2
MTPA2640-10	26.5 ... 40	10/15/12	5	40/45	±4/±6	15	1.5/2
MTPA2640-15	26.5 ... 40	15/20/18	5	40/45	±4/±6	15	1.5/2
MTPA2640-20	26.5 ... 40	20/25/22	5	43/48	±4/±6	15	1.5/2
MTPA2640-40	26.5 ... 40	40/60/50	5	46/50	±4/±6	15	1.5/2
MTPA2640-80	26.5 ... 40	80/100/90	5	50/53	±4/±6	15	1.5/2

Model	Output VSWR typ / max	2nd Harmonic Power @ Pout typ / max dBc	3rd Harmonic Power @ Pout max dBc	Spur @ Pout typ / max dBc	IM3 typ / max dBc	Noise Floor typ / max dBm/MHz	Stability yes / no
MTPA2640-4	2/3	-15/-10	-10	-65/-60	NA	-45/-40	Y
MTPA2640-5	2/3	-15/-10	-10	-65/-60	NA	-45/-40	Y
MTPA 2640-10	2/3	-15/-10	-10	-65/-60	NA	-45/-40	Y
MTPA2640-15	2/3	-15/-10	-10	-65/-60	NA	-45/-40	Y
MTPA 2640-20	2/3	-15/-10	-10	-65/-60	NA	-45/-40	Y
MTPA 2640-40	2/3	-15/-10	-10	-65/-60	NA	-45/-40	Y
MTPA2640-80	2/3	-15/-10	-10	-65/-60	NA	-45/-40	Y

Model	VSWR Load	Line Power VA	Dimensions (H, D) 19"-System	Weight typ kg
MTPA2640-4	3	80	2HU, 19"	7.2
MTPA2640-5	3	100	3HU, 19"	16
MTPA 2640-10	3	200	3HU, 19"	16
MTPA2640-15	3	300	3HU, 19"	20
MTPA 2640-20	3	300	3HU, 19"	30
MTPA 2640-40	3	600	8HU, 19"	40
MTPA2640-80	3	1000	8HU, 19"	50

1 HU = 44.45 mm

STANDARD SPECIFICATIONS

Overdrive Protection: up to +10 dBm for no damage
 Input Impedance: 50 Ohm nominal
 Output Impedance: 50 Ohm nominal
 Noise Figure: 20 dB max.
 Class of Operation: AB-linear

GENERAL

RF Input: 2.92-f/wr-28; standard on front panel
 RF Output: 2.92-f/wr-28; standard on front panel; WR28
 Mains Supply: <3000 VA 200 ... 240 V AC
 Power Meter: via status display
 Elapsed Time Meter: via status display
 Ambient Temperature: 0 ... +45 °C
 Storage Temperature: -20 ... +65 °C

MTPA 26.5... 40GHz

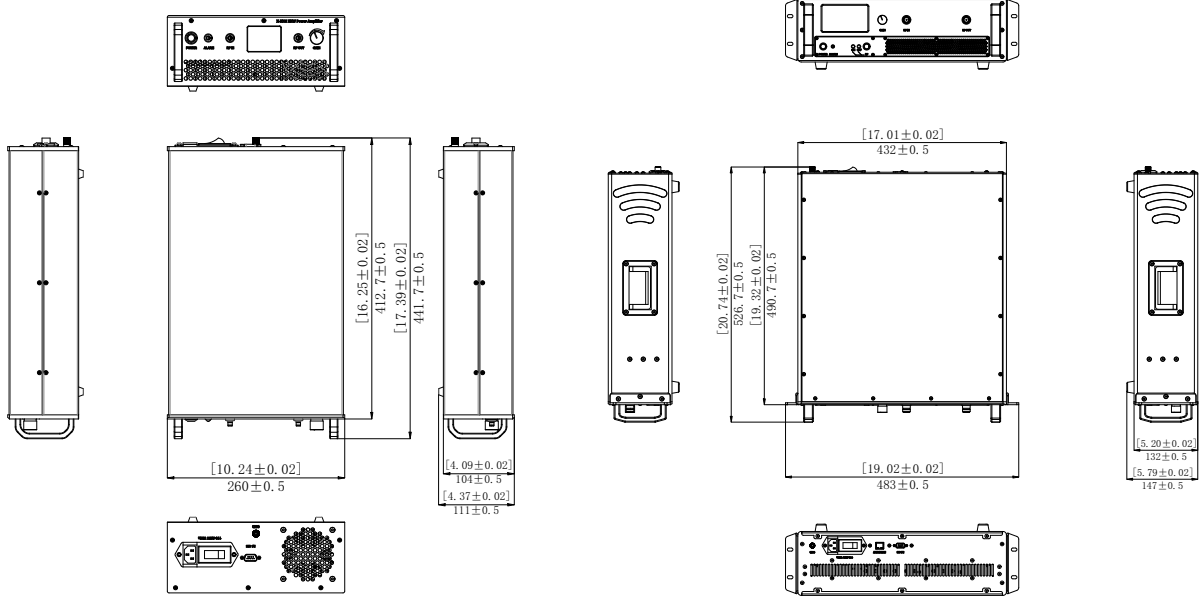
Wideband GaN Amplifiers



Relative Humidity: up to 95% (non-condensing)
 Operating Altitude: up to 2000 m above sea level
 Vibration and Shock: normal laboratory environment
 Cooling: forced air with integral blower
 air intake and exhaust at rear

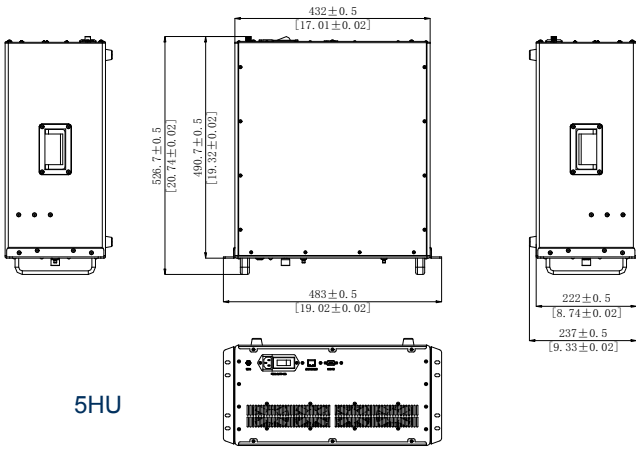
OPTIONS

- A) Forward & Reverse Monitor
- B) External Dual Directional Coupler
- C) IEEE-488.2 GPIB Remote Control
- G) Output isolation
- L) LAN Remote control
- M) 115 V AC / 47 ... 63 Hz
- N) Harmonic Filter
- R) RS-232C Remote Control
- U) USB Remote Control



2HU

3HU



5HU

ACTUAL TESTING DATA

26.5-40GHz 40W test data

