



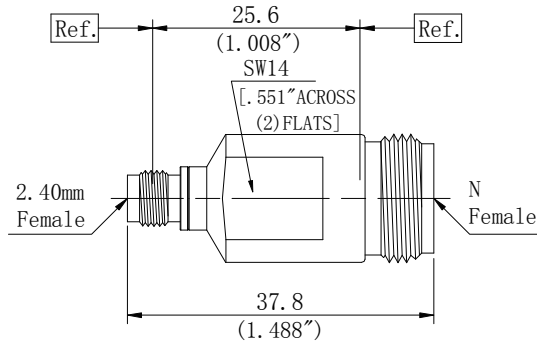
### N-2.4mm adaptors (DC~18GHz)

**Specifications**

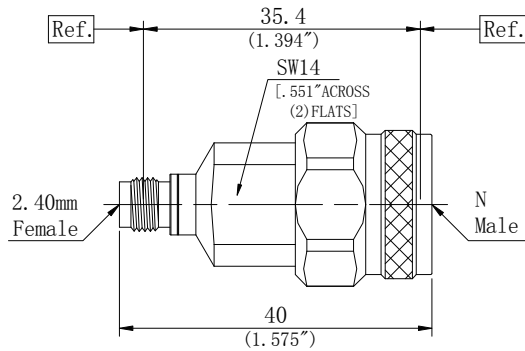
Impedance:	50Ω
Frequency:	DC-18GHz
Durability:	500 cycles
Temperature Range:	-55°C~+165°C

**Material/Finishing**

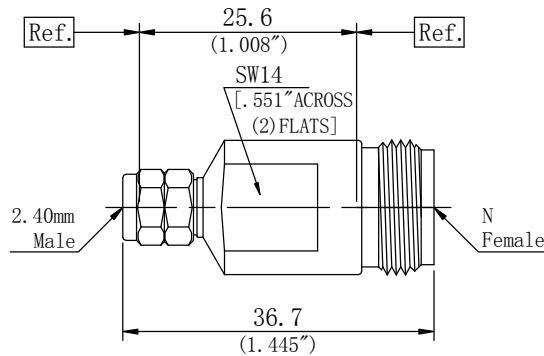
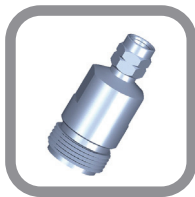
Housing:	Stainless Steel SU303	Polished/Passivated
Center contact:	Beryllium Copper	Gold plated(MIL-G-45204)
Insulators:	PEI	
<b>N Interfaces PER MIL-STD-348A</b>		<b>2.4mm Interfaces PER IEEE STD 287-2007</b>



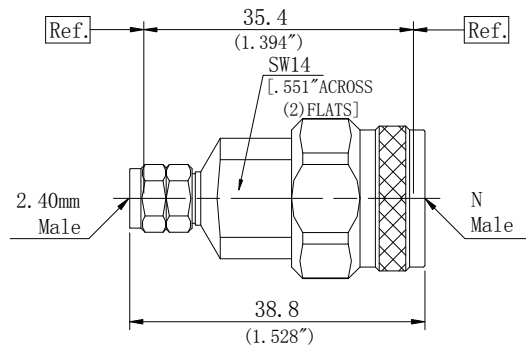
Descriptions	N (f)to 2.4mm (f)
PN	Z343700Z01
VSWR	DC-18GHz . . .1.15:1 (max)



Descriptions	N (m)to 2.4mm (f)
PN	Z343710Z01
VSWR	DC-18GHz . . .1.15:1 (max)



Descriptions	N (f)to 2.4mm (m)
PN	Z343701Z01
VSWR	DC-18GHz . . .1.15:1 (max)



Descriptions	N (m)to 2.4mm (m)
PN	Z343711Z01
VSWR	DC-18GHz . . .1.15:1 (max)