



TNCA-TNCA adapters(DC~18GHz)

Specifications

Impedance: 50Ω

Frequency: DC-18GHz

Durability: 500 cycles

Temperature Range: -55°C~+165°C

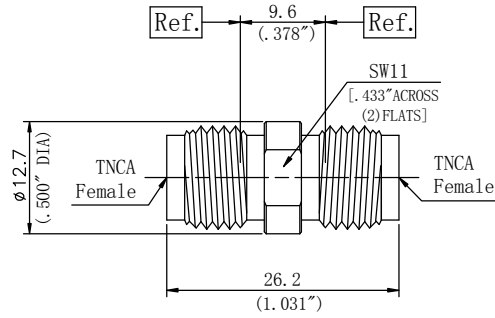
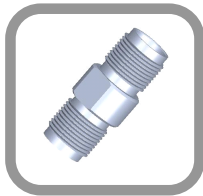
Material/Finishing

Housing: Stainless steel SU303 Polished/Passivated

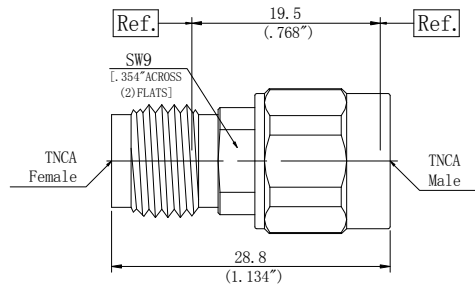
Center contact: Beryllium Copper Gold plated (MIL-G-45204)

Insulators: PEI&PTFE

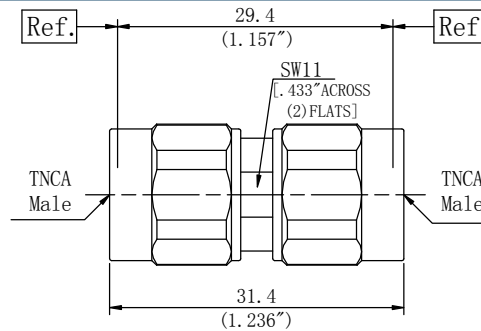
TNCA Interfaces PER MIL-STD-348A



Description	TNCA (f) to TNCA (f)
PN	Z545400Z01
VSWR	DC-18GHz . . .1.15:1 (max)



Description	TNCA (m) to TNCA (f)
PN	Z545410Z01
VSWR	DC-18GHz . . .1.15:1 (max)



Description	TNCA (m) to TNCA (m)
PN	Z545411Z01
VSWR	DC-18GHz . . .1.15:1 (max)