



N-TNC adapters(DC~11GHz)

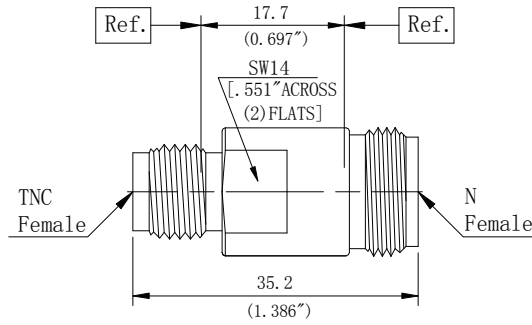
Specifications

Impedance: 50Ω
Frequency: DC-11GHz
Durability: 500 cycles
Temperature Range: -55°C~+165°C

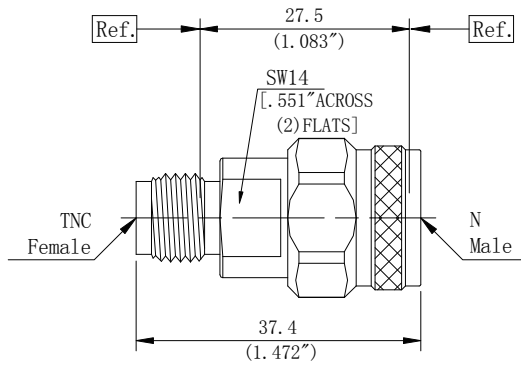
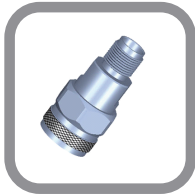
Material/Finishing

Housing: Stainless Steel SU303	Polished/Passivated
Center contact: Beryllium Copper	Gold plated(MIL-G-45204)
Insulators: PEI	

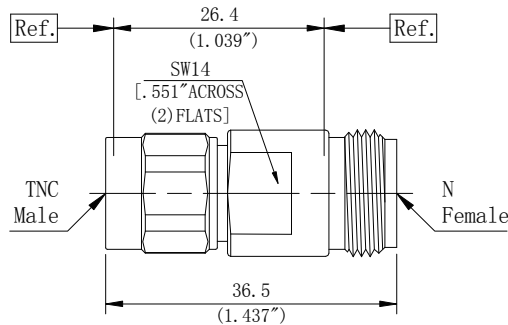
N/TNC Interfaces PER MIL-STD-348A



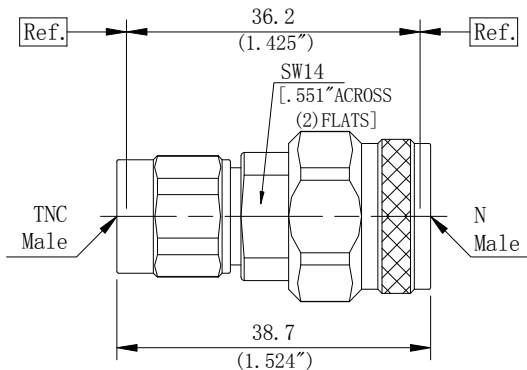
Descriptions	N (f) to TNC (f)
PN	Z345300Z01
VSWR	DC-11GHz...1.15:1 (max)



Descriptions	N (m) to TNC (f)
PN	Z345310Z01
VSWR	DC-11GHz...1.15:1 (max)



Descriptions	N (f) to TNC (m)
PN	Z345301Z01
VSWR	DC-11GHz...1.15:1 (max)



Descriptions	N (m) to TNC (m)
PN	Z345311Z01
VSWR	DC-11GHz...1.15:1 (max)