



N-TNCA adapters(DC~18GHz)

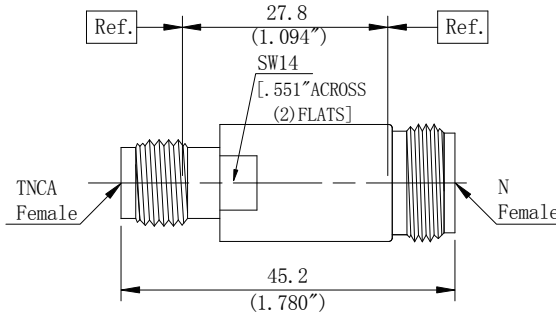
Specifications

Impedance: 50Ω
Frequency: DC-18GHz
Durability: 500 cycles
Temperature Range: -55°C~+165°C

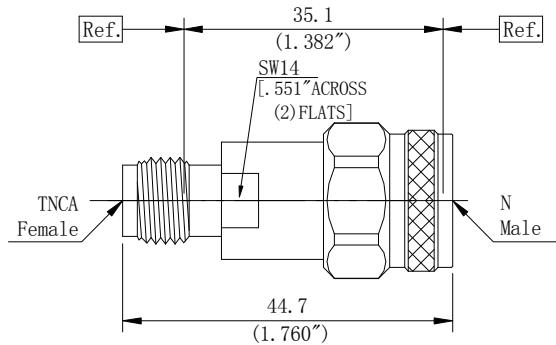
Material/Finishing

Housing: Stainless Steel SU303	Polished/Passivated
Center contact: Beryllium Copper	Gold plated(MIL-G-45204)
Insulators: PEI	

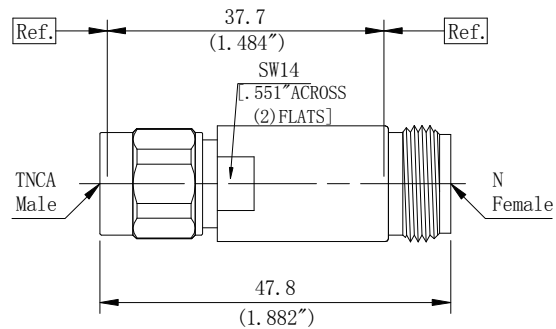
N/TNCA Interfaces PER MIL-STD-348A



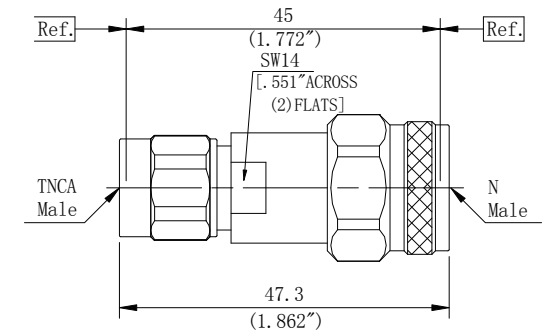
Descriptions N (f) to TNCA (f)	
PN	Z345400Z01
VSWR	DC-18GHz...1.15:1 (max)



Descriptions N (m) to TNCA (f)	
PN	Z345410Z01
VSWR	DC-18GHz...1.15:1 (max)



Descriptions N (f) to TNCA (m)	
PN	Z345401Z01
VSWR	DC-18GHz...1.15:1 (max)



Descriptions N (m) to TNCA (m)	
PN	Z345411Z01
VSWR	DC-18GHz...1.15:1 (max)