

1 2 3 4 5 6

A

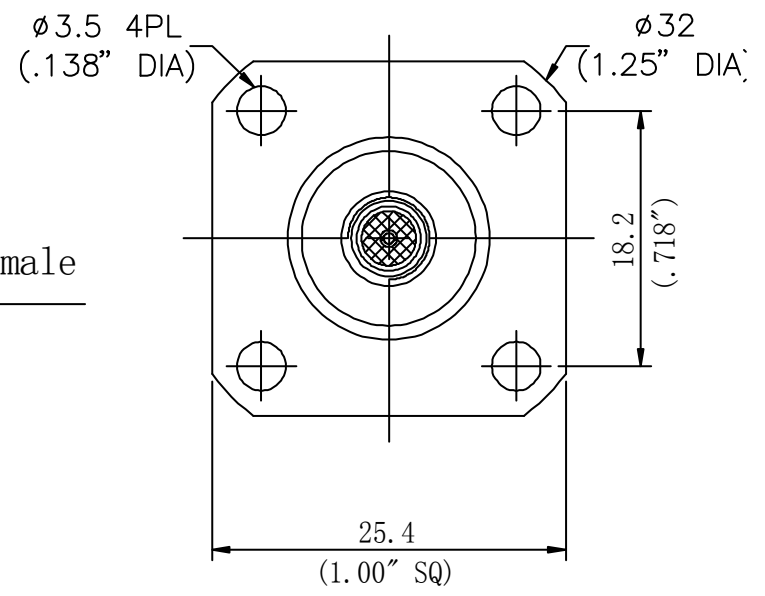
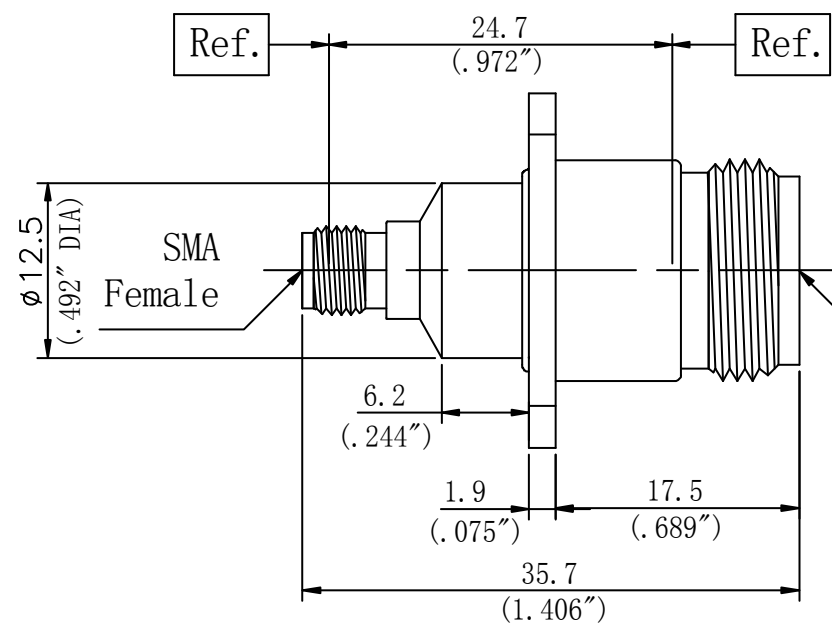
B

C

A

B

C



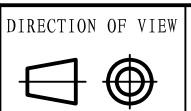
Performance Features:

Nominal Impedance: 50 Ω
 Frequency Range: DC-18GHz
 VSWR: DC-18GHz.... 1.15:1 (Max)

Materials/Finishes:

Housing: SU303F
 Polished & Passivated
 Center Contact: Beryllium Copper
 Gold Plated
 Insulators: PTFE&PEI

MicrowaveTown
 www.MicrowaveTown.com



TITLE: N-SMA Apdater

PROPRIETARY INFORMATION: THE INFORMATION IN THIS DRAWING IS PROPRIETARY AND SHALL NOT BE USED OR DISCLOSED WITHOUT PRIOR WRITTEN PERMISSION FROM MICROWAVETOWN

DRAWN: Shaoqing Du
 CHECKED: Haimin Zhang
 APPR.: Gang Cao

DWG NO.: Z345500F10

UNLESS OTHERWISE SPECIFIED:
 1. REMOVE ALL BURRS, BREAK ALL CORNERS, SHARP EDGES 0.05 R MAX
 2. LINEARITY TOLERANCES: ± 0.1 ; ANGLE TOLERANCES: $\pm 1^\circ$
 3. DIAMETERS ON COMMON CENTERS TO BE CONCENTRIC WITHIN 0.1
 4. ALL DIMENSIONS ARE AFTER PLATING, SURFACE FINISHED

OUTLINE DRAWING

| | | | | | | | | |
|-----|-------------|------|-------|----------------------|-----------|-----------|-----------|-----------|
| LTR | DESCRIPTION | DATE | APPR. | DO NOT SCALE DRAWING | SIZE A4_h | SCALE 4:1 | REV. V2.0 | SHEET 1/1 |
|-----|-------------|------|-------|----------------------|-----------|-----------|-----------|-----------|

1 2 5 6