

1 2 3 4 5 6

A

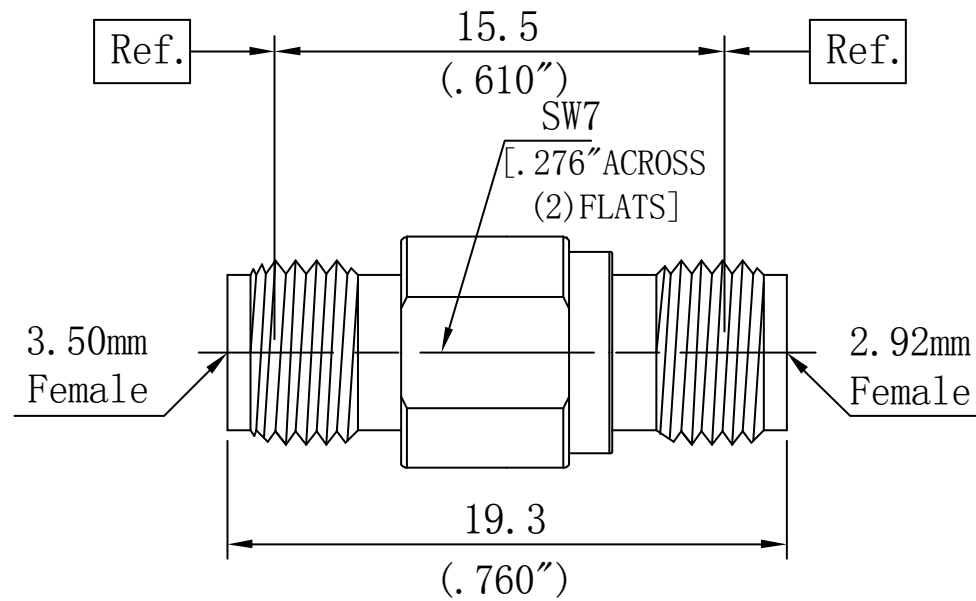
B

C

A

B

C



**Performance Features:**

Nominal Impedance: 50Ω  
 Frequency Range: DC-33GHz  
 VSWR: DC-33GHz... 1.15:1 (Max)

**Materials/Finishes:**

Housing: SU303F  
 Polished & Passivated  
 Center Contact: Beryllium Copper  
 Gold Plated  
 Insulators: PEI

<b>MicrowaveTown</b> www.MicrowaveTown.com				DIRECTION OF VIEW 	UNIT mm	TITLE 2.92mm-3.5mm Adapter				
<small>PROPRIETARY INFORMATION: THE INFORMATION IN THIS DRAWING IS PROPRIETARY AND SHALL NOT BE USED OR DISCLOSED WITHOUT PRIOR WRITTEN PERMISSION FROM MICROWAVETOWN</small>				DRAWN Min Zhou	DWG NO.		Z353600Z01			
				CHECKED Shaoqing Du			OUTLINE DRAWING			
				APPR. Gang Cao						
				<small>UNLESS OTHERWISE SPECIFIED 1. REMOVE ALL BURRS, BREAK ALL CORNERS, SHARP EDGES 0.05 R MAX 2. LINEARITY TOLERANCES ±0.1; ANGLE TOLERANCES ±1° 3. DIAMETERS ON COMMON CENTERS TO BE CONCENTRIC WITHIN 0.1 4. ALL DIMENSIONS ARE AFTER PLATING, SURFACE FINISHED</small>						
LTR	DESCRIPTION	DATE	APPR.	DO NOT SCALE DRAWING		SIZE A4_h	SCALE 4:1	REV. V2.0	SHEET 1/1	

1 2 3 4 5 6

D

D