

1 2 3 4 5 6

A

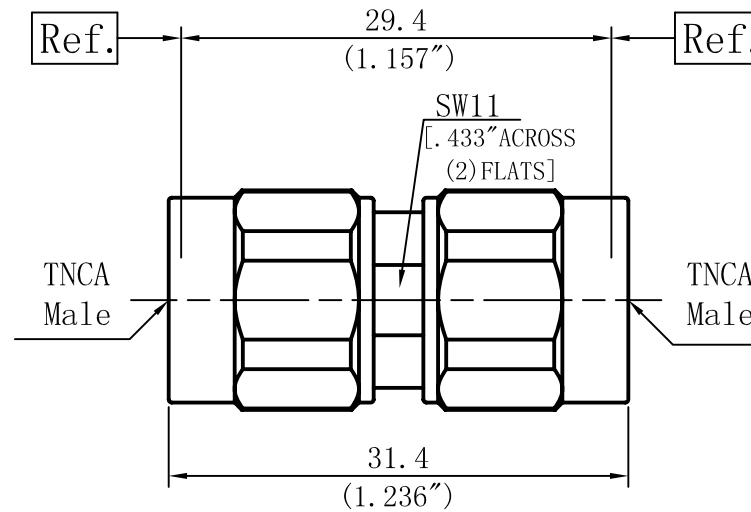
A

B

B

C

C



**Performance Features:**

Nominal Impedance: 50Ω  
 Frequency Range: DC-18GHz  
 VSWR: DC-18GHz... 1.15:1 (Max)

**Materials/Finishes:**

Housing: SU303F  
 Polished & Passivated  
 Center Contact: Beryllium Copper  
 Gold Plated  
 Insulators: PTFE&PEI

**MicrowaveTown**  
 www.MicrowaveTown.com

DIRECTION OF VIEW



UNIT

mm

TITLE

TNCA Adapter

PROPRIETARY INFORMATION: THE INFORMATION IN THIS DRAWING IS PROPRIETARY AND SHALL NOT BE USED OR DISCLOSED WITHOUT PRIOR WRITTEN PERMISSION FROM MICROWAVETOWN

DRAWN Shaoqing Du

DWG NO.

CHECKED Haimin Zhang

Z545411Z01

APPR. Gang Cao

UNLESS OTHERWISE SPECIFIED:  
 1. REMOVE ALL BURRS, BREAK ALL CORNERS, SHARP EDGES 0.05 R MAX  
 2. LINEARITY TOLERANCES ±0.1; ANGLE TOLERANCES ±1°  
 3. DIAMETERS ON COMMON CENTERS TO BE CONCENTRIC WITHIN 0.1  
 4. ALL DIMENSIONS ARE AFTER PLATING, SURFACE FINISHED ✓

**OUTLINE DRAWING**

LTR	DESCRIPTION	DATE	APPR.

DO NOT SCALE DRAWING

SIZE A4\_h

SCALE: 4:1

REV. V1.1

SHEET 1/1

1 2 5 6