

MTPA 0.08... 1GHz

Wideband GaN Amplifiers



STANDARD MODELS

Model	Frequency Range GHZ	Output Power	Input Power	Small Signal Gain	Gain Flatness	Gain Adj	Input VSWR
		min / max / typ W	max dBm	min / typ dB	typ / max dB	max dB	typ / max
MTPA00801-100	0.08 ... 1	100/140/120	5	50/53	±3/±4	20	1.5/2.0
MTPA00801-1000	0.08 ... 1	1000/1200/1100	5	60/63	±3/±4	20	1.5/2.0
MTPA00801-2000	0.08 ... 1	2000/2200/2100	5	63/66	±3/±4	20	1.5/2.0
MTPA00801-3000	0.08 ... 1	3000/3200/3100	5	66/68	±3/±4	20	1.5/2.0

Model	Output VSWR typ / max	2nd Harmonic Power @ Pout typ / max dBc	3rd Harmonic Power @ Pout max dBc	Spur @ Pout typ / max dBc	IM3 typ / max dBc	Noise Floor typ / max dBm/MHz	Stability yes / no
MTPA00801-100	1.5/2.0	-15/-10	-15	-65/-60	25/23	-45/-40	Y
MTPA00801-1000	1.5/2.0	-15/-10	-15	-65/-60	25/23	-23/-20	Y
MTPA00801-2000	1.5/2.0	-15/-10	-15	-65/-60	25/23	-23/-20	Y
MTPA00801-3000	1.5/2.0	-15/-10	-15	-65/-60	25/23	-23/-20	Y

Model	VSWR Load	Line Power VA	Dimensions (H, D) 19"-System	Weight typ kg
MTPA00801-100	3	500	3HU, 19"	15
MTPA00801-1000	3	5000	12HU, 19"	45
MTPA00801-2000	3	10000	22HU, 19"	100
MTPA00801-3000	3	18000	27HU, 19"	180

1 HU = 44.45 mm

STANDARD SPECIFICATIONS

Overdrive Protection:	up to +10 dBm for no damage
Input Impedance:	50 Ohm nominal
Output Impedance:	50 Ohm nominal
Noise Figure:	20 dB max.
Class of Operation:	AB-linear

GENERAL

RF Input:	SMA-f/N-f; standard on front panel
RF Output:	SMA-f/N-f; standard on front panel
Mains Supply:	<1500 VA 200 ... 240 V AC
Power Meter:	via status display
Elapsed Time Meter:	via status display
Ambient Temperature:	0 ... +45 °C
Storage Temperature:	-20 ... +65 °C

MTPA 0.08 ...1GHz

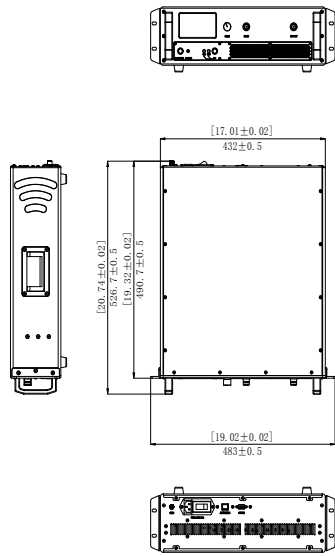
Wideband GaN Amplifiers



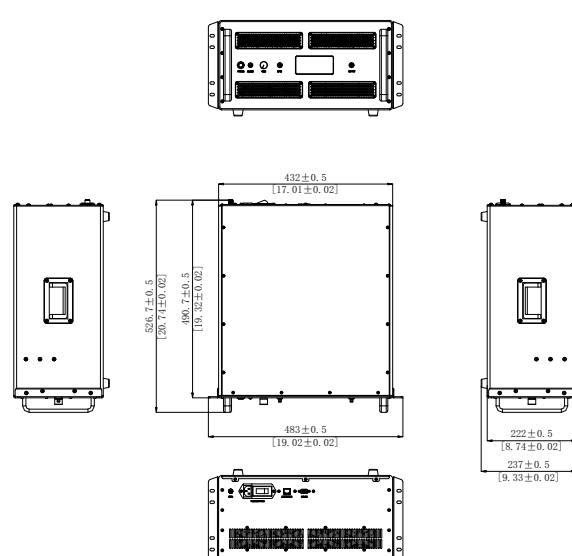
Relative Humidity: up to 95% (non-condensing)
Operating Altitude: up to 2000 m above sea level
Vibration and Shock: normal laboratory environment
Cooling: forced air with integral blower
air intake and exhaust at rear

OPTIONS

- A) Forward & Reverse Monitor
- B) External Dual Directional Coupler
- C) IEEE-488.2 GPIB Remote Control
- G) Output isolation
- L) LAN Remote control
- M) 115 V AC / 47 ... 63 Hz
- N) Harmonic Filter
- R) RS-232C Remote Control
- U) USB Remote Control



3HU



5HU