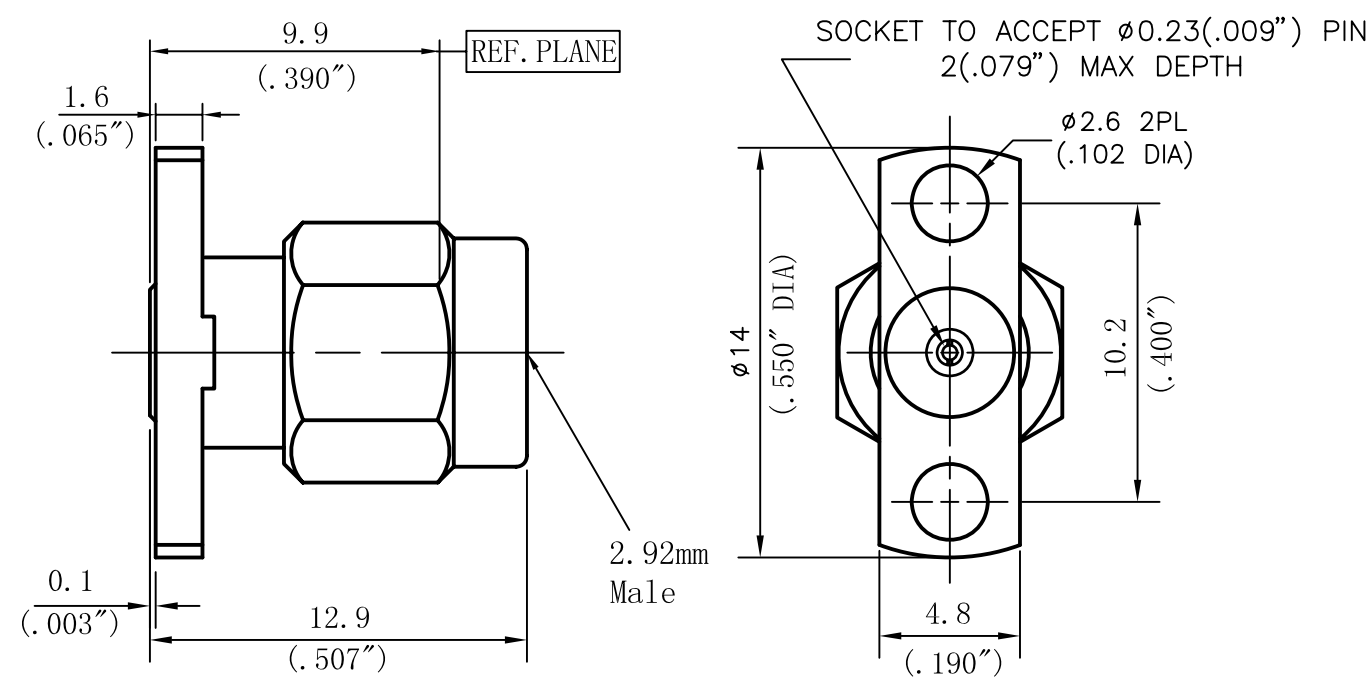


A
B
C
D

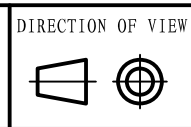
1 2 3 4 5 6



A
B
C
D

Performance Features:	
Nominal Impedance: 50 Ω	
Frequency Range: DC-40GHz	
VSWR: DC-40GHz.... 1.15:1 (Max)	
Materials/Finishes:	
Housing: SU303F	
Polished & Passivated	
Center Contact: Beryllium Copper	
Gold Plated	
Insulators: PEI	

M MicrowaveTown Company, LLC
 1283 E. Route 66 Ave.
 Glendora, CA 91741
 Tel: (626)241-9635
 Fax: (626)698-1638
 www.microwavetown.com



UNIT
mm

TITLE
2.92mm Connector

PROPRIETARY INFORMATION. THE INFORMATION IN THIS DRAWING IS PROPRIETARY AND SHALL NOT BE USED OR DISCLOSED WITHOUT PRIOR WRITTEN PERMISSION FROM MICROWAVETOWN.

DRAWN Shaoqing Du
 CHECKED Haimin Zhang
 APPR. Gang Cao

DWG NO.
D361S09F05

UNLESS OTHERWISE SPECIFIED:
 1. REMOVE ALL BURRS, BREAK ALL CORNERS, SHARP EDGES 0.05 R MAX
 2. LENGTH TOLERANCES ± 0.1 , ANGLE TOLERANCES $\pm 1^\circ$
 3. DIAMETERS ON COMMON CENTERS TO BE CONCENTRIC WITHIN 0.1
 4. ALL DIMENSIONS ARE AFTER PLATING SURFACE FINISHED

OUTLINE DRAWING

LTR	DESCRIPTION	DATE	APPR.	DO NOT SCALE DRAWING	SIZE A4_h	SCALE: 1	REV. V2.0	SHEET 1/1
-----	-------------	------	-------	----------------------	-----------	----------	-----------	-----------

1 2 3 4 5 6