

1 2 3 4 5 6

A

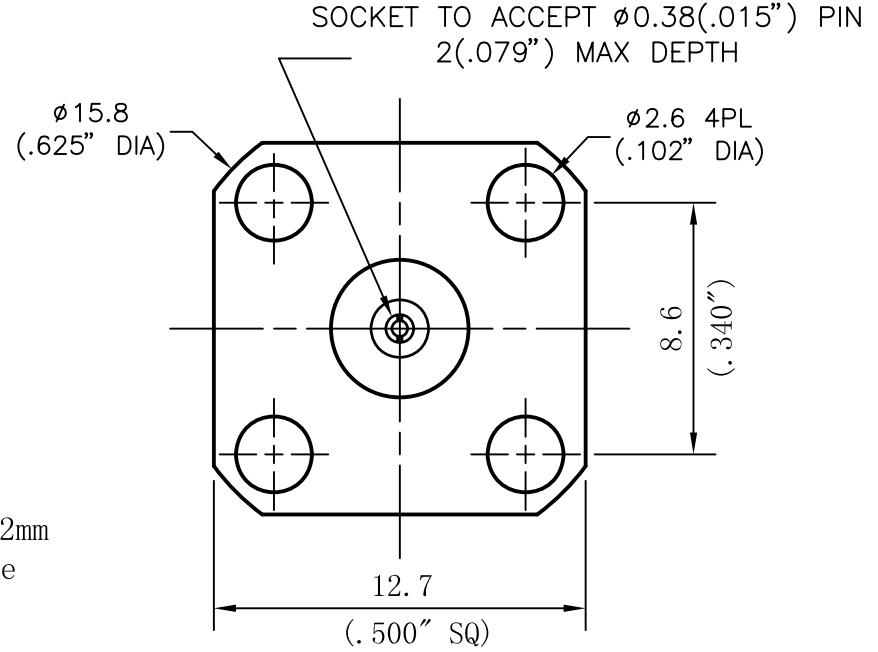
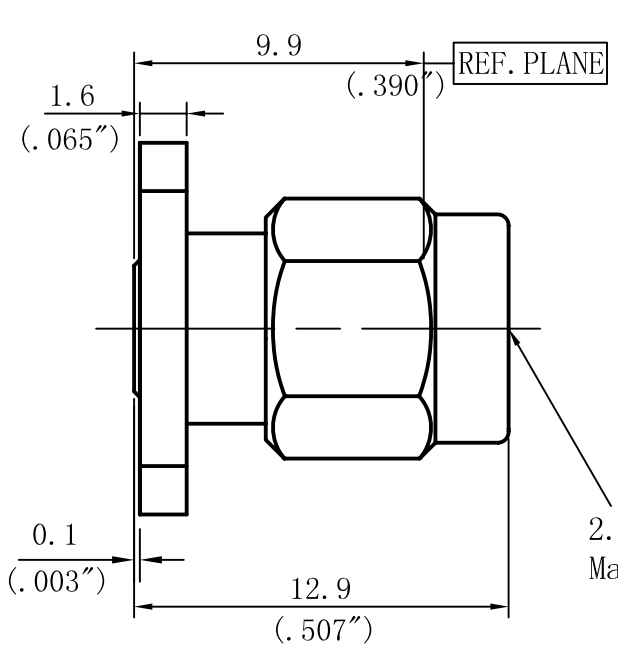
B

C

A

B

C



**Performance Features:**

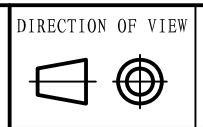
Nominal Impedance: 50Ω  
 Frequency Range: DC-40GHz  
 VSWR: DC-40GHz.... 1.15:1 (Max)

**Materials/Finishes:**

Housing: SU303F  
 Polished & Passivated  
 Center Contact: Beryllium Copper  
 Gold Plated  
 Insulators: PEI

**M** MicrowaveTown Company, LLC  
 1283 E. Route 66 Ave.  
 Glendora, CA 91741  
 Tel: (626)241-9635  
 Fax: (626)698-1638  
 www.microwavetown.com

PROPRIETARY INFORMATION: THE INFORMATION IN THIS DRAWING IS PROPRIETARY AND SHALL NOT BE USED OR DISCLOSED WITHOUT PRIOR WRITTEN PERMISSION FROM MICROWAVETOWN



UNIT  
 mm

TITLE  
**2.92mm Connector**

DRAWN Shaoqing Du  
 CHECKED Haimin Zhang  
 APPR. Gang Cao

DWG NO.  
**D361S15F01**

UNLESS OTHERWISE SPECIFIED:  
 1. REMOVE ALL BURS, BREAK ALL CORNERS, SHARP EDGES 0.05 R MAX  
 2. LENGTH TOLERANCES ±0.1, ANGLE TOLERANCES ±1°  
 3. DIAMETERS ON COMMON CENTERS TO BE CONCENTRIC WITHIN 0.1  
 4. ALL DIMENSIONS ARE AFTER PLATING SURFACE FINISHED ✓

**OUTLINE DRAWING**

LTR	DESCRIPTION	DATE	APPR.

DO NOT SCALE DRAWING

SIZE A4_h	SCALE 4: 1	REV. V2.0	SHEET 1/1
-----------	------------	-----------	-----------

1 2 5 6