

1 2 3 4 5 6

A

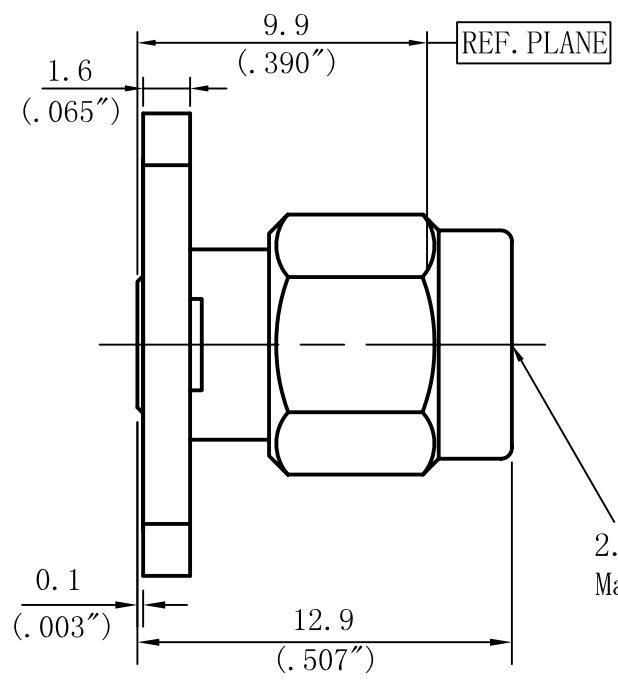
B

C

A

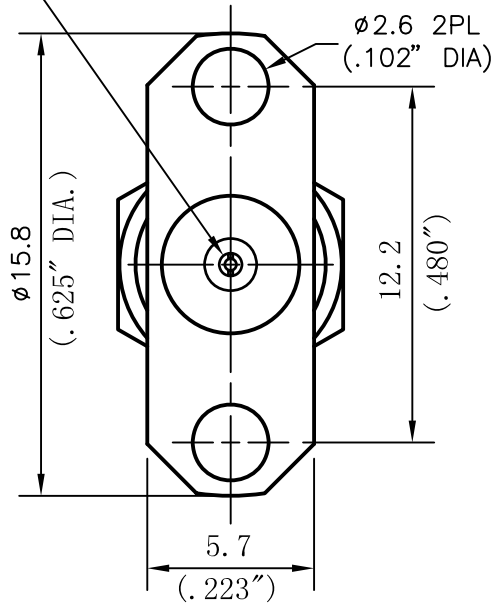
B

C



2.92mm  
Male

SOCKET TO ACCEPT  $\phi 0.38(.015)$  PIN  
2(.079") MAX DEPTH



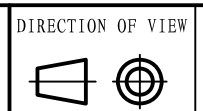
**Performance Features:**

Nominal Impedance: 50Ω  
Frequency Range: DC-40GHz  
VSWR: DC-40GHz.... 1.15:1 (Max)

**Materials/Finishes:**

Housing: SU303F  
Polished & Passivated  
Center Contact: Beryllium Copper  
Gold Plated  
Insulators: PEI

**M** MicrowaveTown Company, LLC  
1283 E. Route 66 Ave.  
Glendora, CA 91741  
Tel:(626)241-9635  
Fax:(626)698-1638  
www.microwavetown.com



UNIT  
mm

TITLE  
**2.92mm Connector**

PROPRIETARY INFORMATION: THE INFORMATION IN THIS DRAWING IS PROPRIETARY AND SHALL NOT BE USED OR DISCLOSED WITHOUT PRIOR WRITTEN PERMISSION FROM MICROWAVETOWN

DRAWN Shaoqing Du  
CHECKED Haimin Zhang  
APPR. Gang Cao

DWG NO.  
**D361S15F04**

UNLESS OTHERWISE SPECIFIED  
1. REMOVE ALL BURRS, BREAK ALL CORNERS, SHARP EDGES 0.05 R MAX  
2. LINEARITY TOLERANCES ±0.1, ANGLE TOLERANCES ±1°  
3. DIAMETERS ON COMMON CENTERS TO BE CONCENTRIC WITHIN 0.1  
4. ALL DIMENSIONS ARE AFTER PLATING SURFACE FINISHED

**OUTLINE DRAWING**

LTR	DESCRIPTION	DATE	APPR.	DO NOT SCALE DRAWING	SIZE A4_h	SCALE: 1	REV. V2.0	SHEET 1/1
-----	-------------	------	-------	----------------------	-----------	----------	-----------	-----------

1 2 5 6