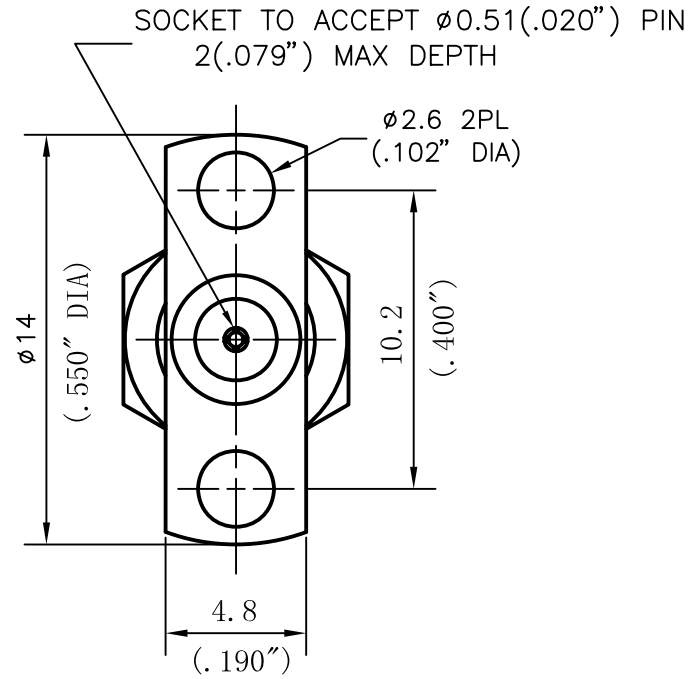
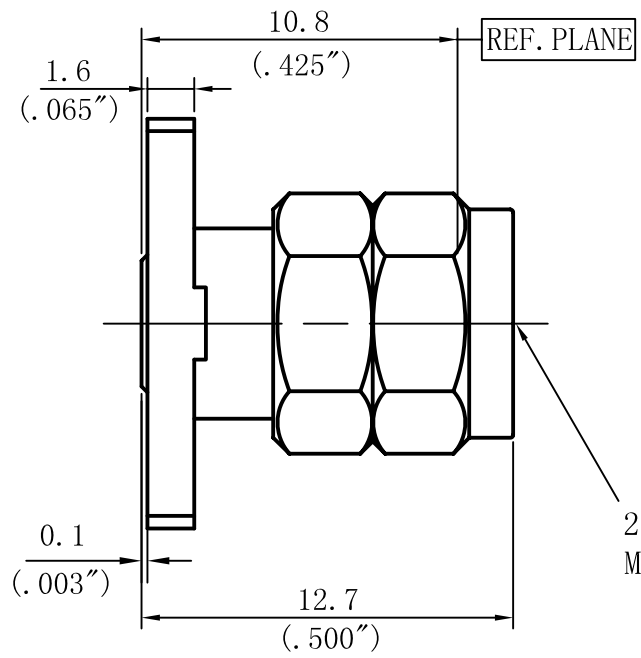


1 2 3 4 5 6

A
B
C
D



Performance Features:

Nominal Impedance: 50Ω
 Frequency Range: DC-50GHz
 VSWR: DC-50GHz... 1.15:1 (Max)

Materials/Finishes:

Housing: SU303F
 Polished & Passivated
 Center Contact: Beryllium Copper
 Gold Plated
 Insulators: PEI

M MicrowaveTown Company, LLC
 1283 E. Route 66 Ave.
 Glendora, CA 91741
 Tel: (626)241-9635
 Fax: (626)698-1638
 www.microwavetown.com

PROPRIETARY INFORMATION: THE INFORMATION IN THIS DRAWING IS PROPRIETARY AND SHALL NOT BE USED OR DISCLOSED WITHOUT PRIOR WRITTEN PERMISSION FROM MICROWAVETOWN

DIRECTION OF VIEW	UNIT	TITLE
	mm	2.4mm Connector

DRAWN	Shaoqing Du	DWG NO. D371S20F05
CHECKED	Haimin Zhang	
APPR.	Gang Cao	

UNLESS OTHERWISE SPECIFIED:
 1. REMOVE ALL BURRS, BREAK ALL CORNERS, SHARP EDGES 0.05 R MAX
 2. LINEARITY TOLERANCES ±0.1; ANGLE TOLERANCES ±1°
 3. DIAMETERS ON COMMON CENTERS TO BE CONCENTRIC WITHIN 0.1
 4. ALL DIMENSIONS ARE AFTER PLATING, SURFACE FINISHED

OUTLINE DRAWING			
DO NOT SCALE DRAWING	SIZE A4_h	SCALE 4:1	REV. V2.0 SHEET 1/1

LTR	DESCRIPTION	DATE	APPR.

1 2 5 6